

PRODUCT DETAILS



URINAL / PRIVACY SCREEN – POST SUPPORTED



The Post Supported privacy screen can be used as a room divider or for urinal screens that require a high level of privacy. Available in a wide range of materials it lends itself to luxury and cost-sensitive applications. With a height of up to 3 metres it can be tall and is easy to clean around with its 200mm floor clearance.

Urinals are an important fixture in the commercial washroom environment. TPI offers its own range of Privacy Screens that can be used as Urinal Dividers and as room dividers for visual privacy.

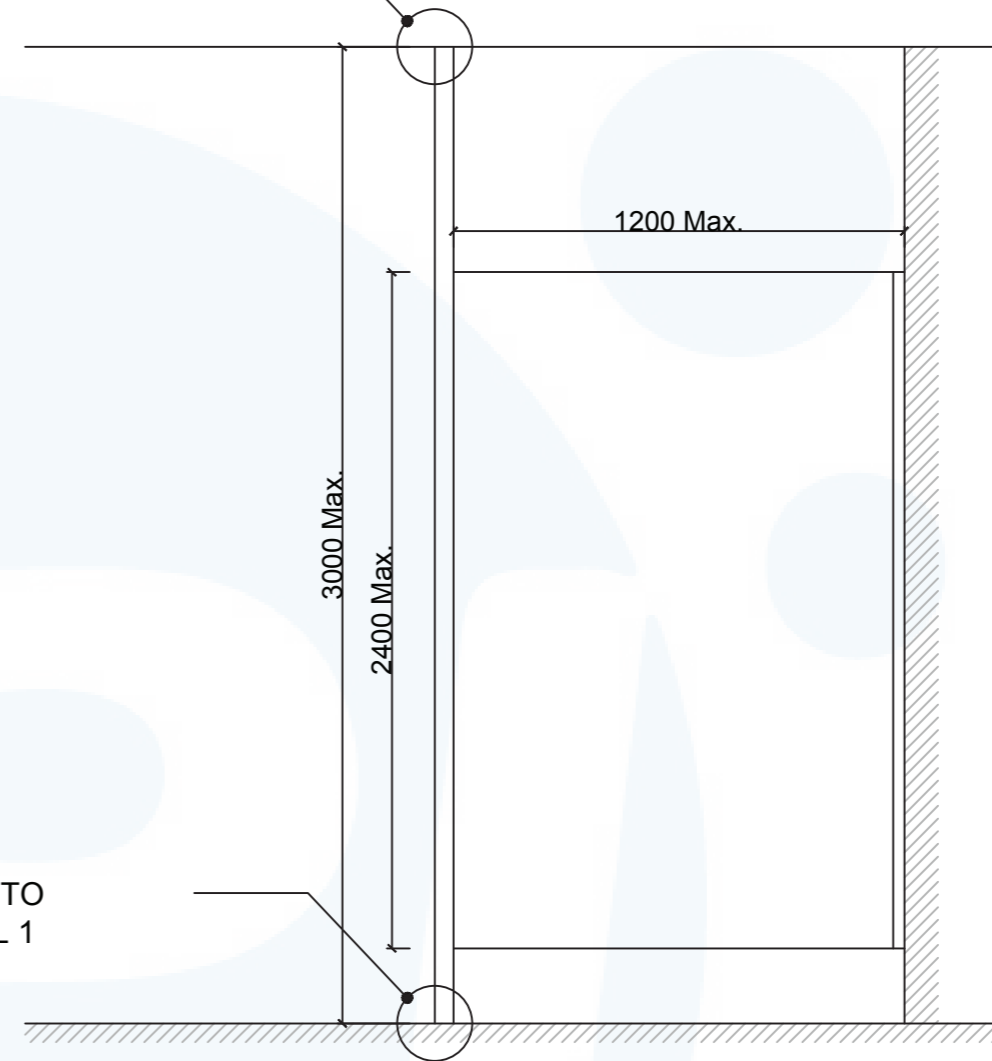
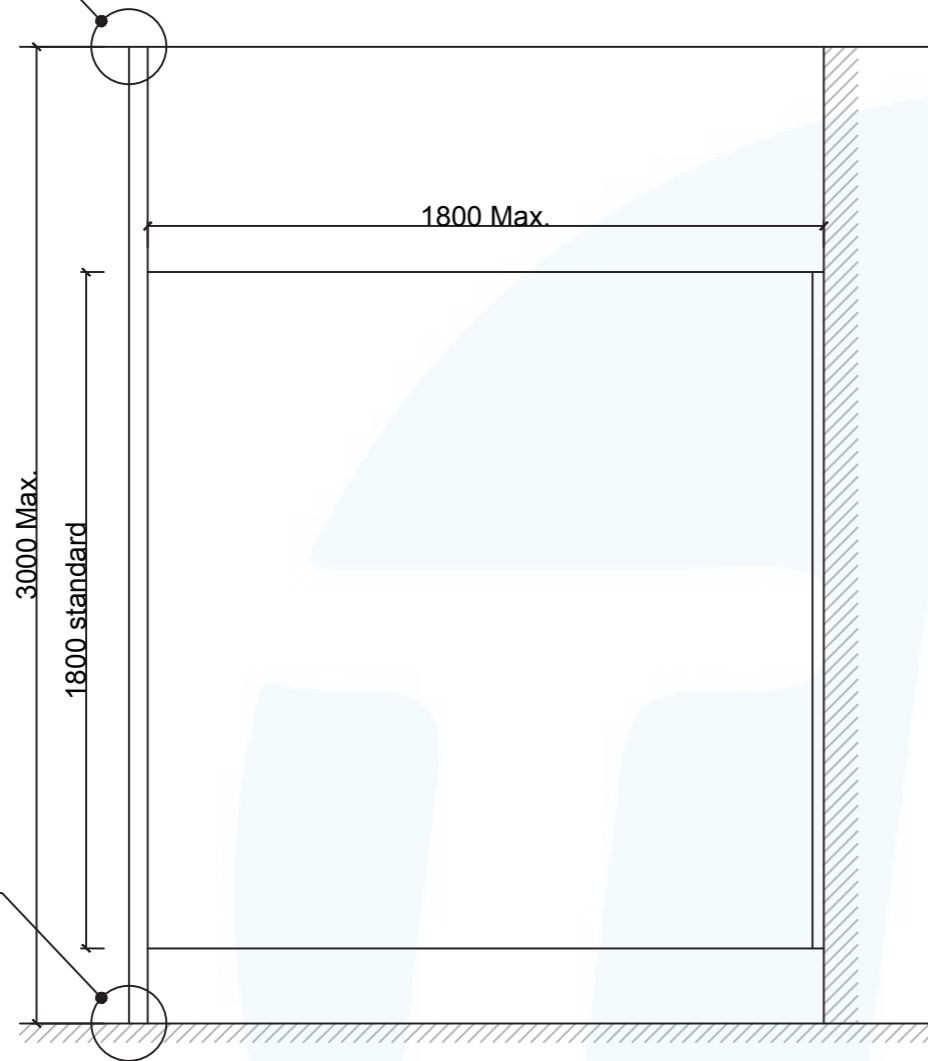
Our Privacy Screens (Urinal Dividers) are based on our most popular Cubicle designs and come in a wide range of colours and materials all suitable for use in commercial washrooms, including public toilets, schools, office environments and many more.

Additional Information

Standard Dimensions	Height: Up to 3000mm maximum (Post) Depth: 1800mm nominal Floor Clearance: 200mm
Material Options	13mm Compact Laminate 18mm Laminated Board 32mm Laminated Board 19mm Designboard 10mm Acrylic
Aluminium Profile	Round Clear Anodised Round Powdercoated
Country of Manufacture	Australia

REFER TO
DETAIL 2

REFER TO
DETAIL 2

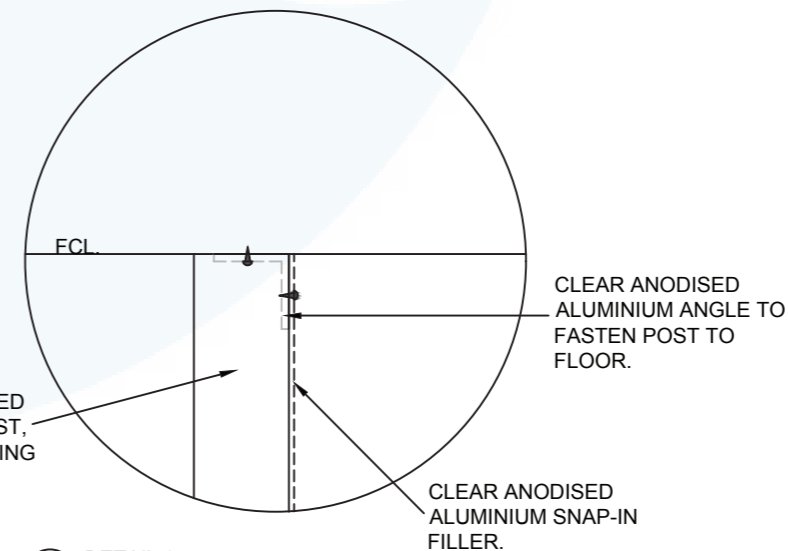
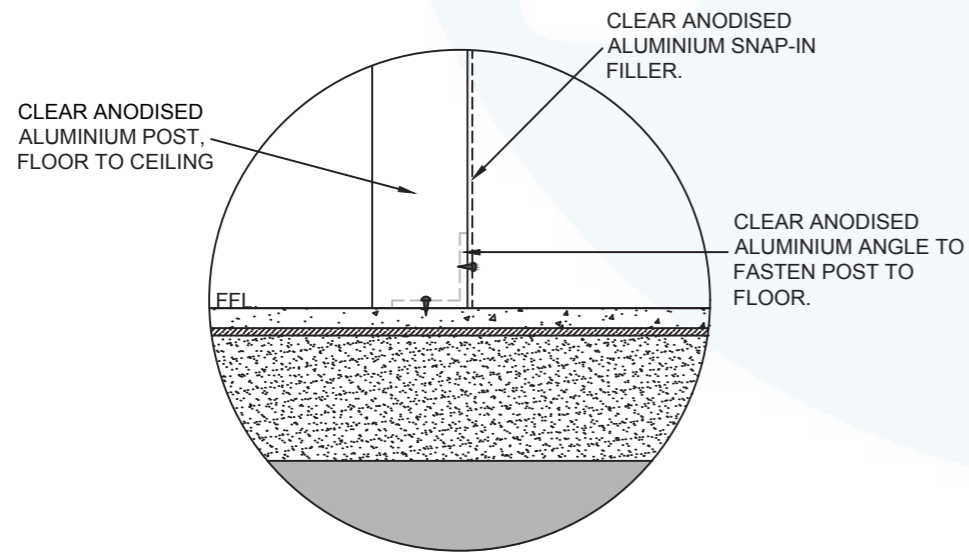


REFER TO
DETAIL 1

REFER TO
DETAIL 1

Aluminium Post
Support

Aluminium Post Support
Detail for Acrylic
sheet option only



DETAIL 1

DETAIL 2

SYSTEM

Aluminium Post Support

MATERIAL AVAILABILITY

- 13mm Compact Laminate
- 18mm Laminated MR MDF
- 18mm Timber Veneer
- 19mm Nuvex Saniboard
- 13mm Acrylic Sheet

NOTES:

ALL FIXINGS SCREWS ARE 304
GRADE STAINLESS STEEL

NOT TO SCALE

FIGURED DIMENSIONS ARE
NOMINAL ONLY. DO NOT SCALE
OFF DRAWING. THIS DESIGN IS
COPYRIGHT AND MAY NOT BE
USED WITHOUT THE WRITTEN
PERMISSION OF THE DESIGNER

DRAWING

TPI-PC DETAILED DESIGN
Post mounted Privacy Screen

ISSUE / REVISION: 03

DWG NO.

TPI-1104-PC

DATE DRAWN 22.6.17

DRAWN BY CAP

APPROVED BY:

