

# PRODUCT DETAILS

## BENCH SEATING - PREMIUM RANGE



Pedestal Mounted Wall Fixed  
(WITH APRON)

### **Pedestal Mounted Wall Fixed Bench Seating**

Metlam brackets come in clear anodised aluminium with optional black powder coating and optional apron. With adjustable feet, up to approx 25mm extension.

### **Island Bench Seating**

Metlam island bench legs come in clear anodised aluminium with optional black powder coating. Not available without an apron. With adjustable legs, up to approx 30mm extension.

### **Available in the following materials:**

*Compact Laminate - 13mm*

- Full panels
- Full panels with slotted grooves
- Slats

*Nuvex - 19mm*

- Full panels
- Full panels with slotted grooves

*Timber - 19mm x 86mm OR 19mm x 136mm*

- Slats

**Available as Supply & Install.**

**Available as Supply only.**

### **How to Specify TPI's Recommended Configuration**

TPI Island bench seat with apron in solid 13mm compact laminate. Hardware to have black satin powder coat. 465mm bench height.



Island Bench Seat  
(WITH APRON)

NOTES:  
 • EXTERNAL CIRCULATION SPACES IS THE RESPONSIBILITY OF THE BUILDER  
 • ALL DIMENSIONS ARE IN MILLIMETRES. FIGURED DIMENSIONS ARE MAXIMUM ALLOWANCE. DO NOT SCALE OFF DRAWING. THIS DESIGN IS COPYRIGHT AND MAY NOT BE USED WITHOUT THE WRITTEN PERMISSION OF THE DESIGNER.

AMENDMENTS		
REV	DATE	DESCRIPTION

**PRODUCT**  
 - Premium Pedestal Mounted Wall Fixed Bench Seat

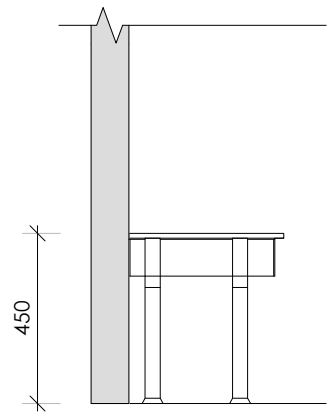
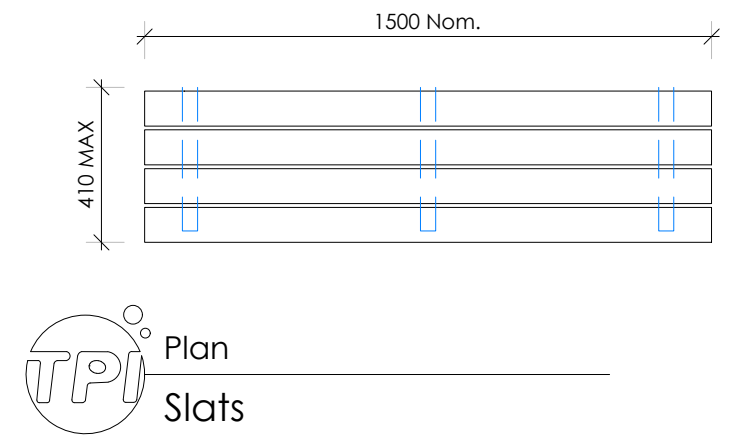
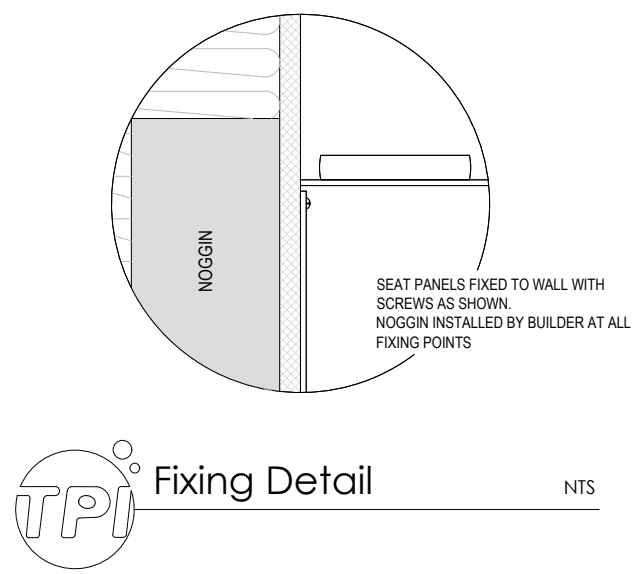
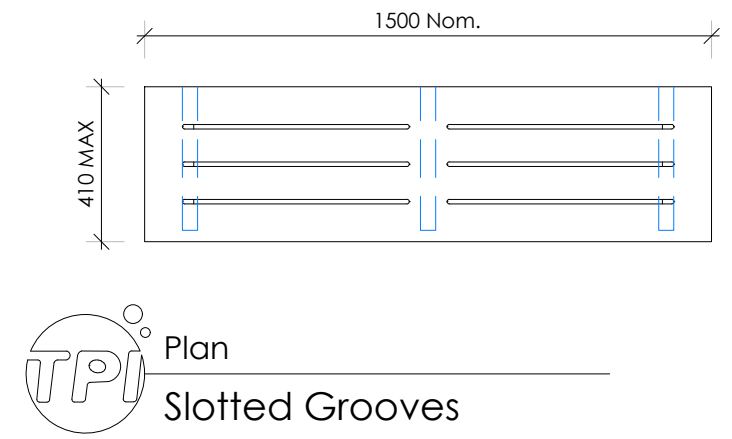
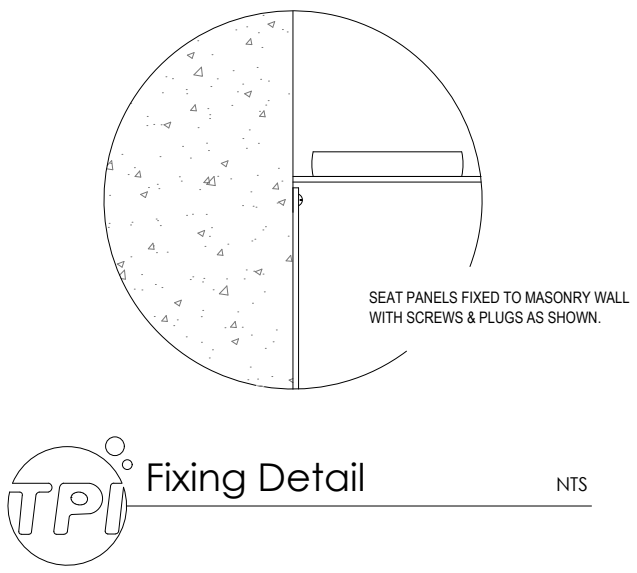
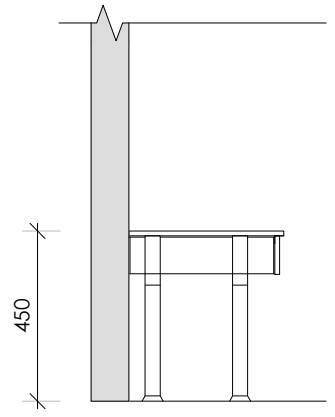
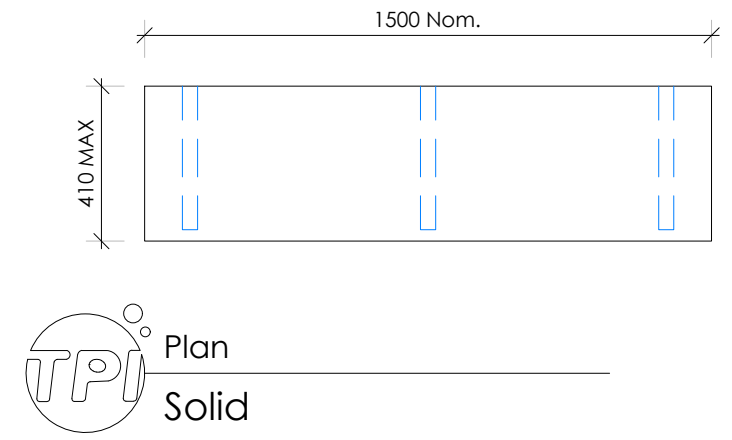
**SYSTEM:**  
 Premium Pedestal Mounted Wall Fixed Bench Seat

**MATERIAL:**  
 13mm Compact Laminate

**COLOUR:**  
 Nominal

**LEGS:**  
 Adjustable aluminium

**ALUMINIUM FINISH:**  
 Clear Anodised OR Powder Coat Available

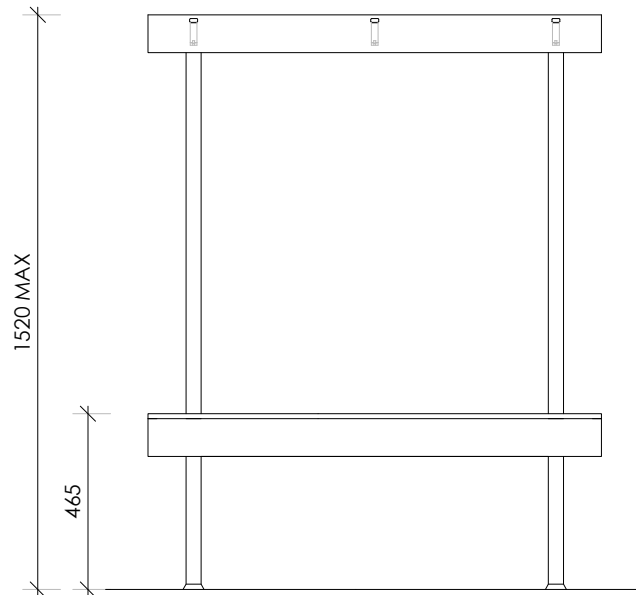


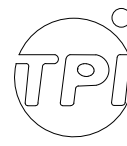
THE WET AREA PEOPLE

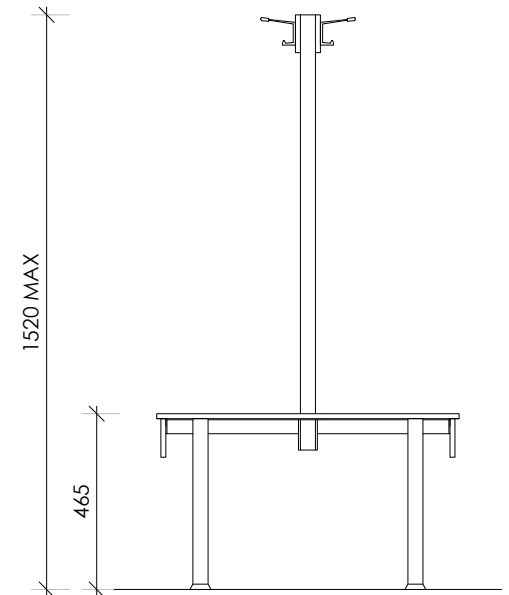
ORIGINAL SCALE @ A3	DATE
NTS	10/07/2020
DRAWN BY	PAGE #
AW	1/1
DRAWING NUMBER	REV
TPI-W00000a_A	A


- NOTES:
- EXTERNAL CIRCULATION SPACES IS THE RESPONSIBILITY OF THE BUILDER
  - ALL DIMENSIONS ARE IN MILLIMETRES. FIGURED DIMENSIONS ARE MAXIMUM ALLOWANCE. DO NOT SCALE OFF DRAWING. THIS DESIGN IS COPYRIGHT AND MAY NOT BE USED WITHOUT THE WRITTEN PERMISSION OF THE DESIGNER.

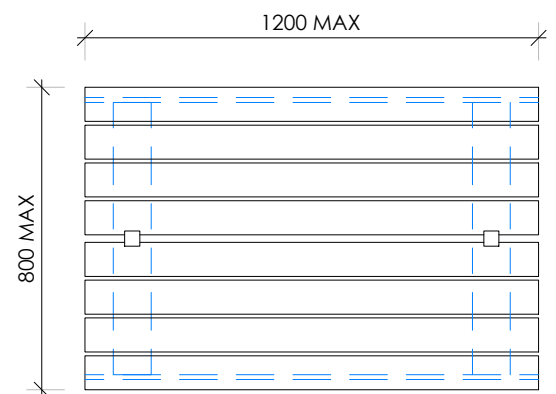
AMENDMENTS		
REV	DATE	DESCRIPTION




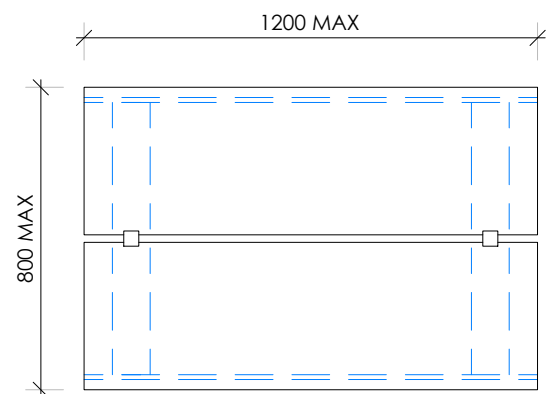
 Elevation 1  
Island Bench Seat




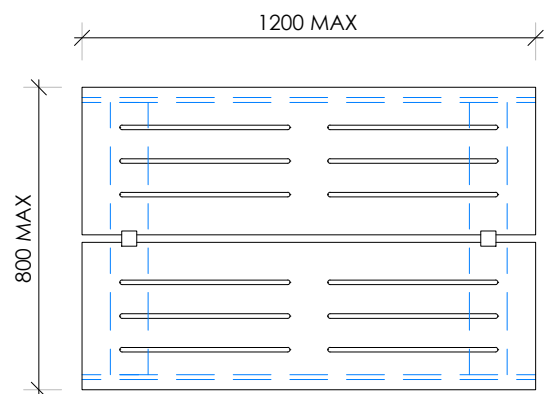
 Elevation 2  
Island Bench Seat



 Plan  
Slats



 Plan  
Solid



 Plan  
Slotted Grooves

**PRODUCT**  
- Island Bench Seat

---

**SYSTEM:**  
Island Bench Seat

**MATERIAL:**  
13mm Compact Laminate

**COLOUR:**  
Nominal

**LEGS:**  
Adjustable aluminium

**ALUMINIUM FINISH:**  
Clear Anodised OR Powder Coat Available



ORIGINAL SCALE @ A3	DATE
NTS	10/07/2020
DRAWN BY	PAGE #
AW	1/1
DRAWING NUMBER	
TPI-W00000a_A	REV A