

# PRODUCT DETAILS



## URINAL / PRIVACY SCREEN – POST SUPPORTED



The Post Supported privacy screen can be used as a room divider or for urinal screens that require a high level of privacy. Available in a wide range of materials it lends itself to luxury and cost-sensitive applications. With a height of up to 3 metres it can be tall and is easy to clean around with its 200mm floor clearance.

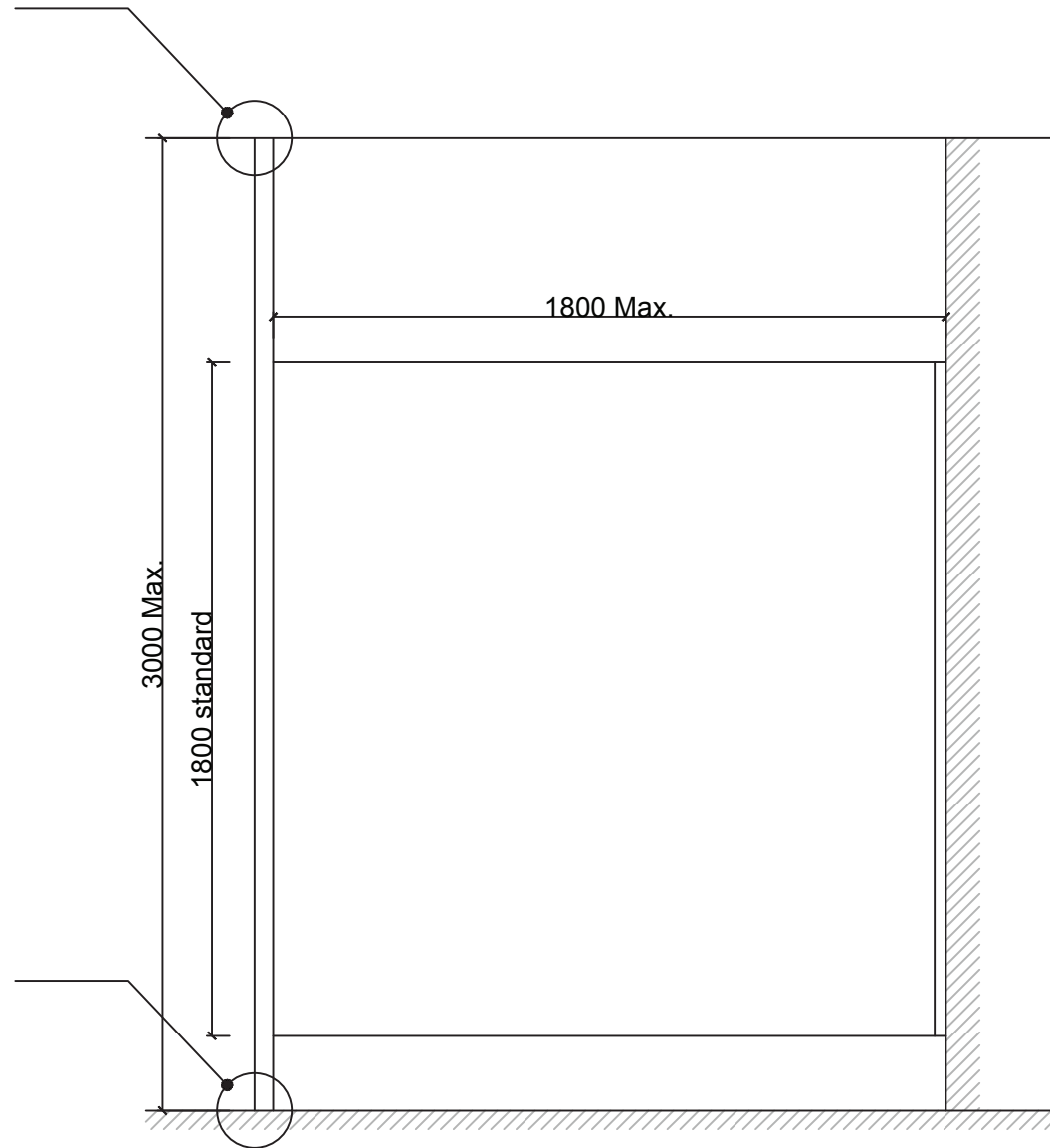
Urinals are an important fixture in the commercial washroom environment. TPI offers its own range of Privacy Screens that can be used as Urinals and as room dividers for visual privacy.

Our Privacy Screens (Urinals) are based on our most popular Cubicle designs and come in a wide range of colours and materials all suitable for use in commercial washrooms, including public toilets, schools, office environments and many more.

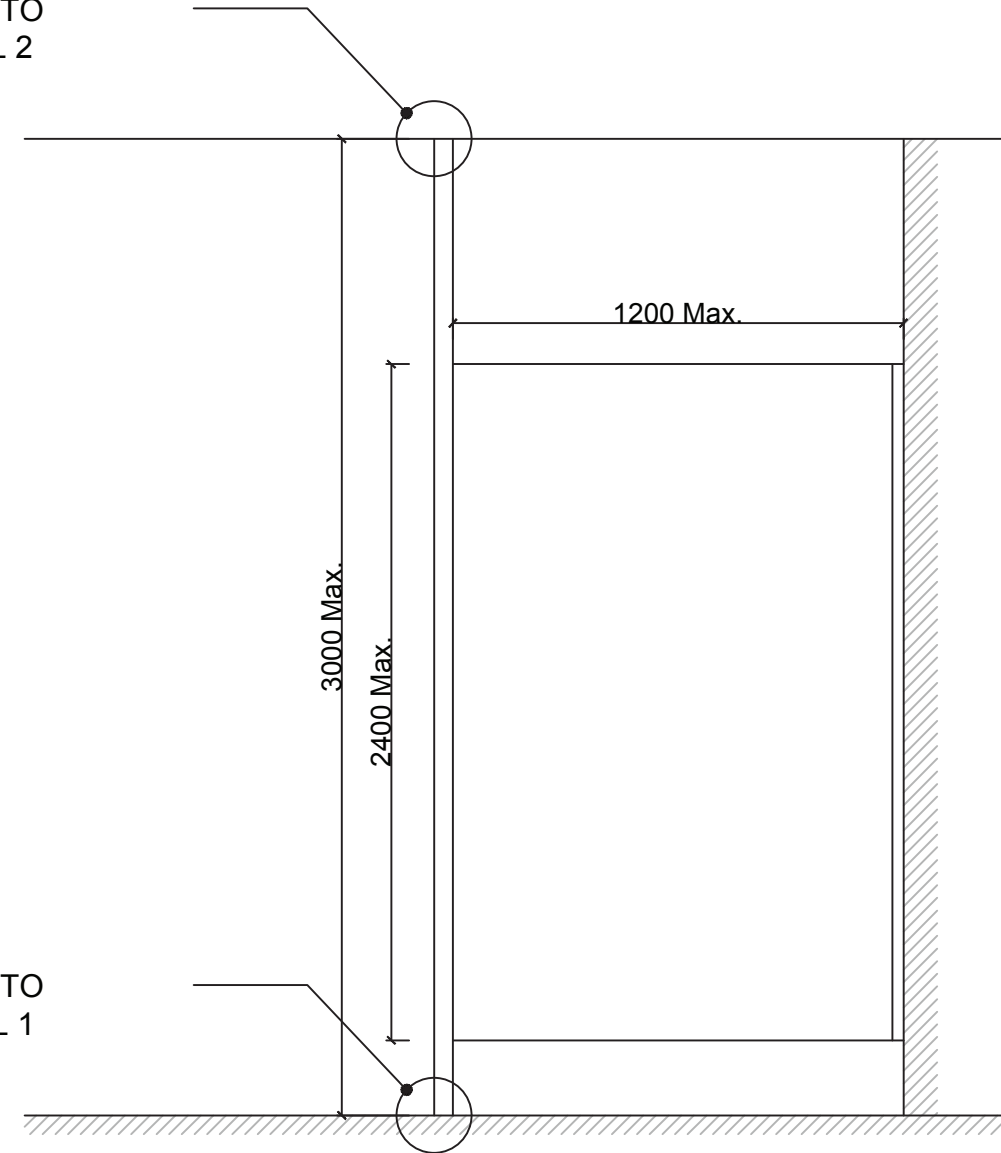
### Additional Information

<b>Standard Dimensions</b>	Height: Up to 3000mm maximum Depth: 600mm nominal Floor Clearance: 200mm
<b>Material Options</b>	13mm Compact Laminate 18mm Laminated Board 18mm Timber Veneer 32mm Laminated Board 32mm Timber Veneer 19mm Nuvex Saniboard
<b>Aluminium Profile</b>	Square Clear Anodised Square Powdercoated
<b>Country of Manufacture</b>	Australia

REFER TO  
DETAIL 2



REFER TO  
DETAIL 2

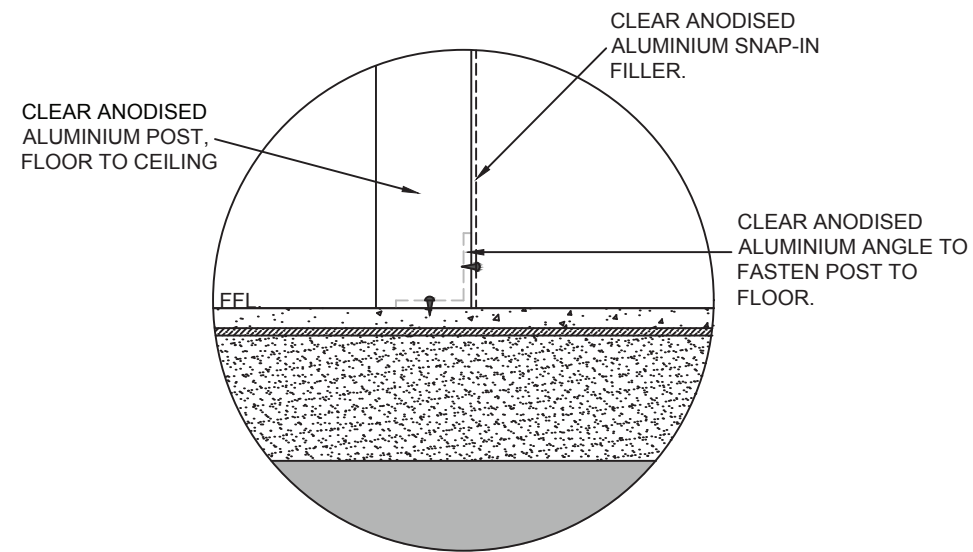


REFER TO  
DETAIL 1

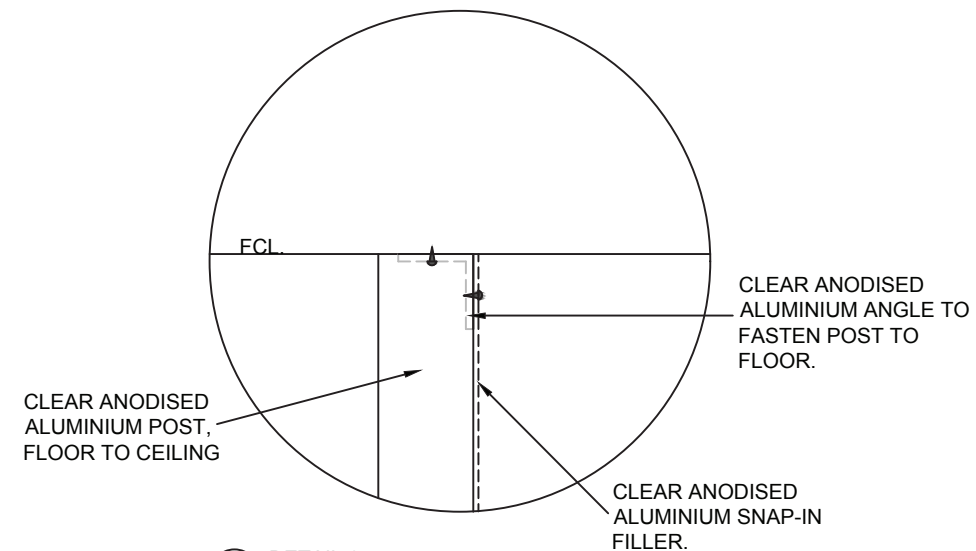
REFER TO  
DETAIL 1

Aluminium Post Support

Aluminium Post Support  
Detail for Acrylic  
sheet option only



DETAIL 1



DETAIL 2

SYSTEM

Aluminium Post Support

MATERIAL AVAILABILITY

- 13mm Compact Laminate
- 18mm Laminated MR MDF
- 18mm Timber Veneer
- 19mm Nuvex Saniboard
- 13mm Acrylic Sheet

NOTES:

ALL FIXINGS SCREWS ARE 304 GRADE STAINLESS STEEL

NOT TO SCALE

FIGURED DIMENSIONS ARE NOMINAL ONLY. DO NOT SCALE OFF DRAWING. THIS DESIGN IS COPYRIGHT AND MAY NOT BE USED WITHOUT THE WRITTEN PERMISSION OF THE DESIGNER

DRAWING

TPI-PC DETAILED DESIGN  
Post mounted Privacy Screen

ISSUE / REVISION: 03

DWG NO.

TPI-1104-PC

DATE DRAWN 22.6.17

DRAWN BY CAP

APPROVED BY:

