

PRODUCT DETAILS



URINAL / PRIVACY SCREEN – BLADE MOUNTED



A recommended option for offices and restaurants needing a clean, upmarket tone.

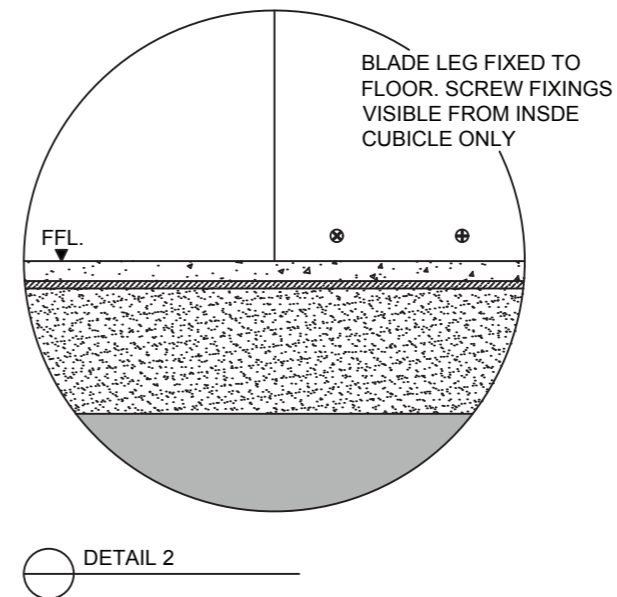
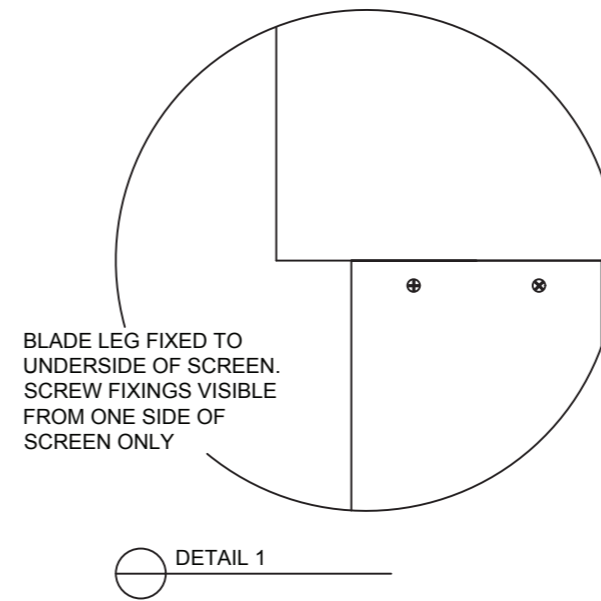
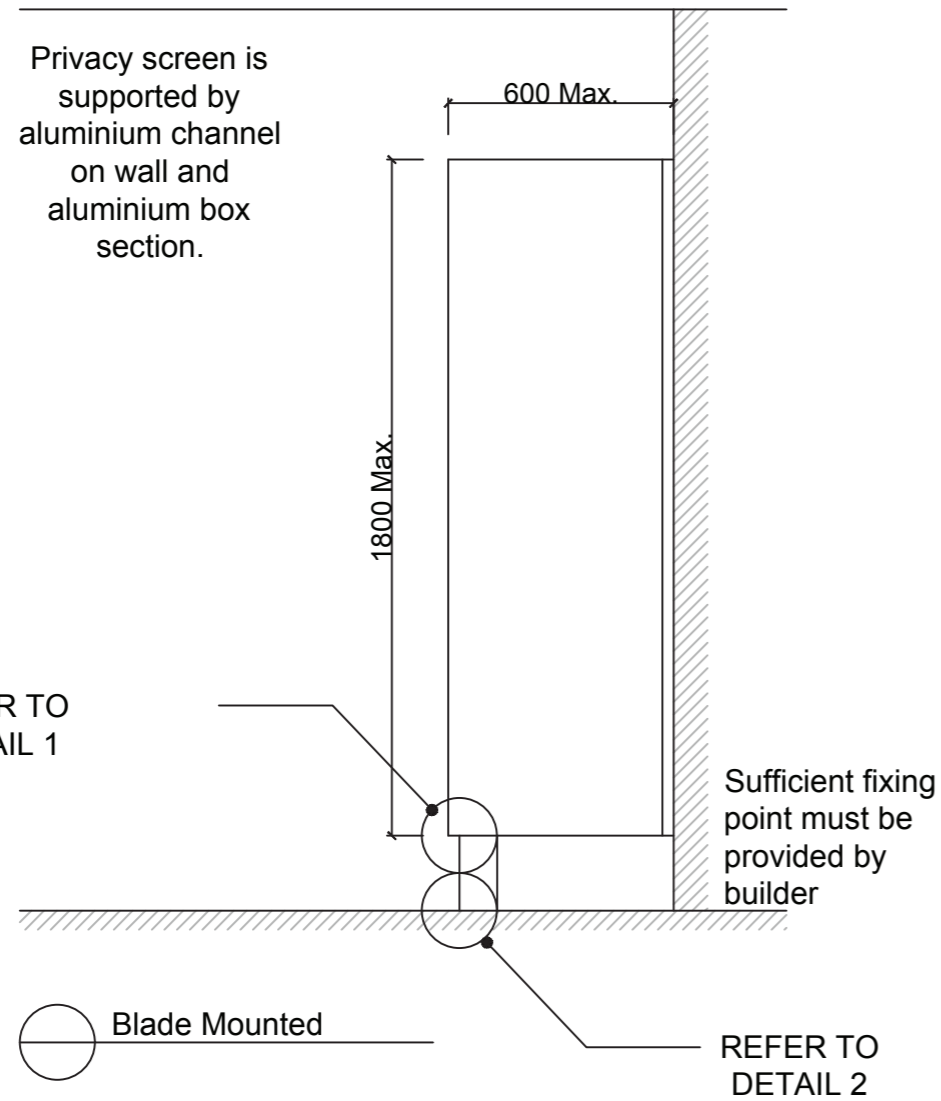
With its stainless steel blade mounts, no panel touches the floor, allowing construction from classic structural board. This opens up a wide range of colours and textures and allows matching with other joinery finishes.

Urinals are an important fixture in the commercial washroom environment. TPI offers its own range of Privacy Screens that can be used as Urinals and as room dividers for visual privacy.

Our Privacy Screens (Urinals) are based on our most popular Cubicle designs and come in a wide range of colours and materials all suitable for use in commercial washrooms, including public toilets, schools, office environments and many more.

Additional Information

Standard Dimensions	Height: Up to 1800mm maximum Depth: 600mm maximum Floor Clearance: 200mm
Material Options	13mm Compact Laminate 18mm Laminated Board 18mm Timber Veneer 32mm Laminated Board 32mm Timber Veneer
Aluminium Profile	Square Clear Anodised Square Powdercoated Blade box
Country of Manufacture	Australia



SYSTEM

Blade Mounted Support

MATERIAL AVAILABILITY

- 13mm Compact Laminate
- 18mm Laminated MR MDF
- 18mm Timber Veneer
- 32mm Laminated MR MDF
- 32mm Timber Veneer

NOTES:

ALL FIXINGS SCREWS ARE 304 GRADE STAINLESS STEEL

NOT TO SCALE

FIGURED DIMENSIONS ARE NOMINAL ONLY. DO NOT SCALE OFF DRAWING. THIS DESIGN IS COPYRIGHT AND MAY NOT BE USED WITHOUT THE WRITTEN PERMISSION OF THE DESIGNER

DRAWING

TPI-B DETAILED DESIGN
Blade mounted Privacy Screen

ISSUE / REVISION: 03

DWG NO.

TPI-1103-B

DATE DRAWN 22.6.17

DRAWN BY CAP

APPROVED BY:

