

PRODUCT DETAILS



TOILET CUBICLE – BLADE MOUNTED CEILING FIXED (BC)



BC-O CHANNEL FIXED
(ALUMINIUM AT CEILING JOINT)

The BC design makes good use of a high ceiling. Sitting tall on blade-mounts, fixed solidly overhead, a row of BC cubicles emphasises the vertical. The firmly anchored frontals mean door & division panels can be extended above standard-height for greater privacy and prestige, while the open floor makes cleaning easy.

Solidly engineered with a strong design flourish, the BC is ideal for surge-venues like pubs, cinemas and shopping centres where easy maintenance and making an impression matter.

Mounted above the wash area, BC panels come in the full range of Compact Laminate, Laminate Boards and real timber veneer.

Available as Supply & Install.

Available as Supply only.

How to Specify TPI's Recommended Configuration

TPI BC13CL Blade mounted Ceiling fixed in 13mm Compact Laminate. With Modulux® Total Privacy Solution. Door Furniture to be Metlam® Xcel series. Screw fixing.

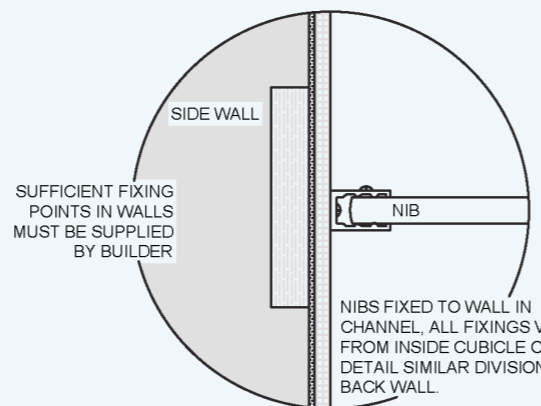
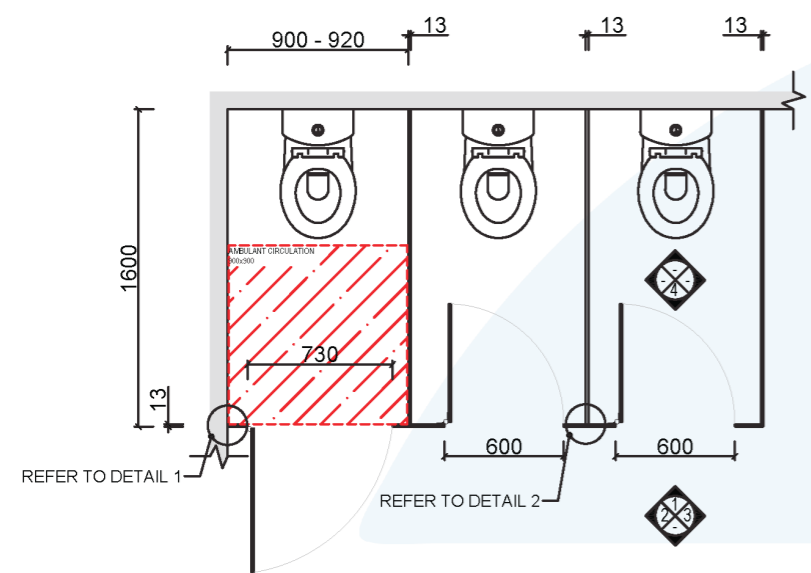
Additional Information

Standard Dimensions	Height: up to 3000mm maximum Depth: 1600mm nominal Frontal: 200mm minimum (w) Doors: 1700mm (h) x 595mm (w) – 600mm opening Ambulant Doors: 1700 (h) x 720-750mm (w) Floor Clearance: 200mm
Ceiling Fixing	BCo – Continuous Channel (aluminium channel visible at ceiling joint)
Material Options	13mm Compact Laminate 18mm Decorated HMR P/Board 33mm Decorated HMR P/Board with 18mm divisions 18mm Timber Veneer 32mm Timber Veneer with 18mm divisions 12mm Laminated Acrylic (door only)
Privacy Edge (optional)	TPI's patented Modulux® Total Privacy Solution for the ultimate in cubicle privacy (available only on 13mm Compact Laminated).
Door Furniture	Metlam® Xcel series (standard) Metlam® Designer Series Black (optional) Novas Pinnacle (optional) Metlam® 300 (optional) Allgood Modric (optional 33mm board only)
Aluminium Profile	Square Clear Anodised

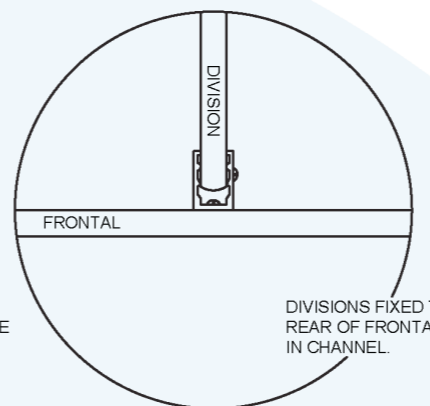
A Division of Toilet Partition Industries Pty Ltd ABN 51 075 780 371

Head office: 123 Eldridge Rd Condell Park NSW 2200 Postal: PO Box 383 Condell Park NSW 2200
Phone: 02 9709 6501 or 1300 400 711 Fax: 02 9709 6641 E-mail: info@tpi.net.au www.tpi.net.au
Australia Wide | New Zealand | Singapore | China, Hong Kong, Macau.

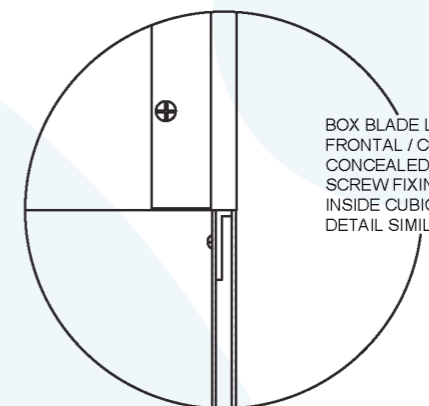
AMENDMENTS		
REV	DATE	DESCRIPTION
00	05.09.2018	SYSTEM DESIGN DRAWING



○ DETAIL 1



○ DETAIL 2

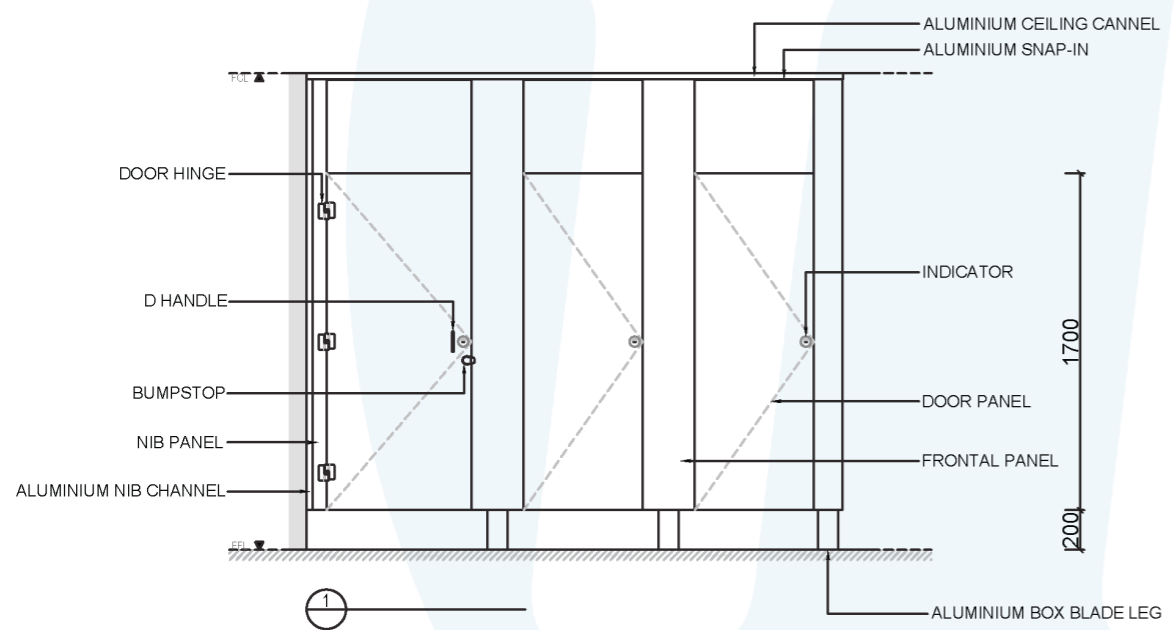


○ DETAIL 3

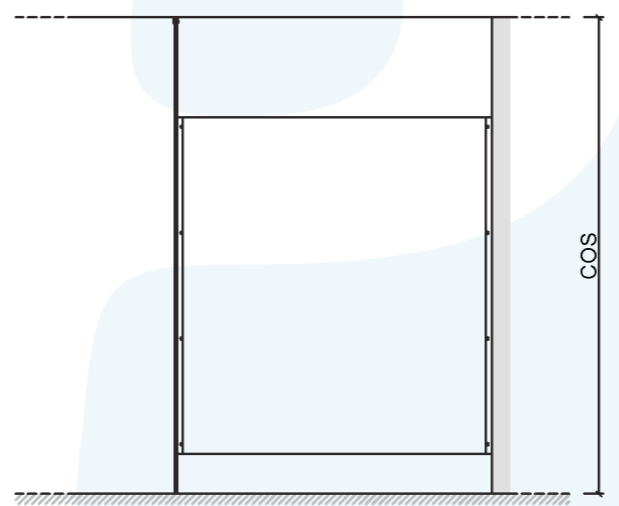
SYSTEM:
BC - BLADE MOUNTED & CEILING FIXED

- MATERIAL OPTIONS:**
- 13MM COMPACT LAMINATE
 - 18MM DS LAMINATED MR MDF / PARTICLE BOARD
 - 18MM TIMBER VENEER
 - 19MM DESIGN BOARD / NUVEK
 - 32 - 33MM DS LAMINATED MR MDF / LDF W- 18MM DS LAMINATED MR MDF / PARTICLE BOARD DIVISIONS
 - 33MM TIMBER VENEER W- 18MM TIMBER VENEER DIVISIONS

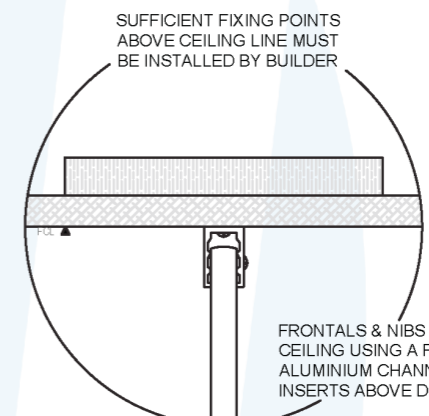
- NOTES:**
- THIS DESIGN DRAWING BASED ON 13MM COMPACT LAMINATE WITH TPI XCEL SERIES 3 HINGE CONCEALED FIXED HARDWARE
 - ALL DIMENSIONS ARE IN MILLIMETERS.
 - FIGURED DIMENSIONS ARE NOMINAL ONLY.
 - DO NOT SCALE.
 - THIS DESIGN DRAWING IS COPYRIGHT AND MAY NOT BE USED WITHOUT THE WRITTEN PERMISSION OF THE DESIGNER
 - PANS SHOWN IN THIS DRAWING ARE FOR REFERENCE ONLY: SIZES, LOCATIONS AND STYLES MAY DIFFER ON SITE.
 - 730MM DOOR TO SUIT 700MM CLEAR OPENING FOR 13MM, 18MM & 19MM MATERIAL OPTIONS, 750MM DOOR REQUIRED FOR 32/33MM MATERIAL OPTIONS TO SUIT AS1428.1-2009
 - EXTERNAL AMBULANT CIRCULATION SPACES IS THE RESPONSIBILITY OF THE BUILDER
 - SUITABLE WALL FIXINGS MUST BE PROVIDED BY BUILDER
 - HARDWARE AND ALUMINIUM OPTIONS; SEE WEBSITE



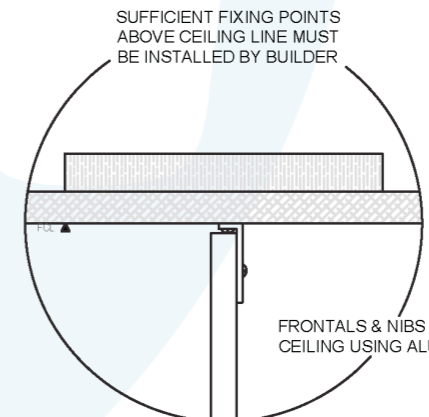
○ 1



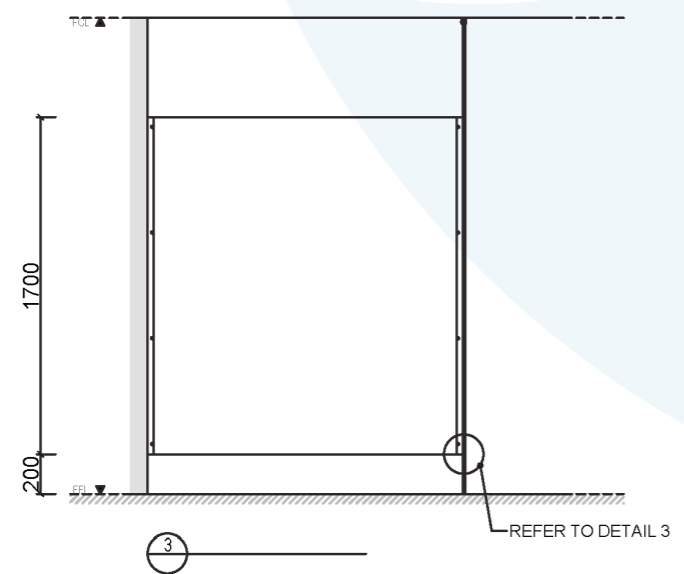
○ 2



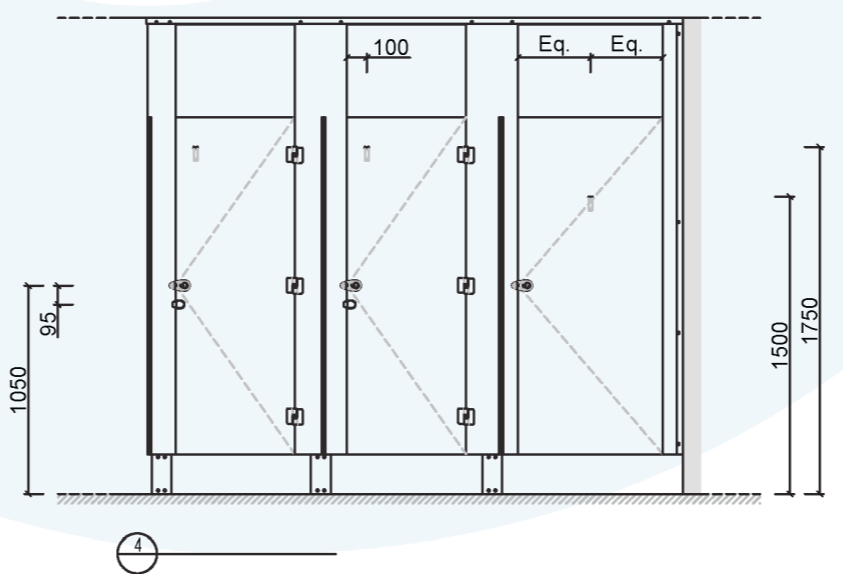
○ CEILING FIXING OPTION 1



○ CEILING FIXING OPTION 2



○ 3



○ 4



1300 400 711
www.tpi.net.au

ORIGINAL SCALE @ A3		DATE	
NOT TO SCALE		05.09.2018	
DRAWN BY	DESIGN VERIFIED	APPROVED	DM CHECK
PB	MB	MS	-

APPROVED BY:
MGS

DRAWING NUMBER	REV
TPI-BC-00	00